

Screwdriver Spindles pneumatic

Motor Size 2



Motor Size 3



Motor Size 4



MINIMAT Screwdrivers

The basic solution for almost all screwdriving tasks
angle head design – torque from 0.3 - 67 Nm / 2.7 to 593 in.lbs



- highly accurate shut-off clutch
- for limited space
- durable
- robust

The particular strength of a MINIMAT screwdriver in angle design is that it can carry out screw assemblies with torque ranges of 0.3 Nm to 67 Nm. In these ranges you can not only assemble screws but also adjust them. The MINIMAT spindles can be easily integrated and are extremely small. They are available in right rotation and reversible.

These tools can be used without lubrication: This should however only be done in specific applications. Using a tool without lubrication will decrease its lifespan. The ergonomic MINIMAT screwdriver is extremely durable due to its extraordinary processing quality and design for heavy industrial use. The DEPRAG stationary screwdriver spindles with angle head design are preferably used for assemblies in tight areas.

Torque accuracies of < 3% standard deviation and thus C_{mk} values of ≥ 1.67 with a tolerance of $\pm 15\%$ can be reached * with these screwdrivers. Statistically speaking, the error rate is less than 0.6 per one million screw assemblies.

*) under suitable process conditions

TECHNICAL DATA

Screwdriver Style		Motor Size 2		
Spindle right rotation Remote Start	Type Part no.	377-320-7-E6.3 200616B	377-420-7-E6.3 200616D	377-520-7-E6.3 200616C
Spindle end Suitable tool inserts with		External Square Drive DIN 3121 - E6.3 (1/4") Internal Square Drive DIN 3121 - G6.3 (1/4")		
Spindle right rotation Remote Start	Type Part no.	377-320-7-F6.3 2006161B	377-420-7-F6.3 2006161D	377-520-7-F6.3 2006161C
Spindle end Suitable tool inserts with		Internal hex. Drive DIN ISO 1173 - F6.3 (1/4") with quick change chuck External hex. Drive DIN ISO 1173 - E6.3 (1/4")		
Torque min.	Nm / in.lbs	0.4 / 3.5	0.4 / 3.5	0.3 / 2.7
Torque max.	Nm / in.lbs	3.6 / 31.9	4.5 / 39.8	6.5 / 57.5
Speed, idling	rpm	1070	710	470
Air consumption	m ³ /min / cfm	0.3 / 11	0.3 / 11	0.3 / 11
Weight	kg / lbs	0.9 / 2	0.9 / 2	0.9 / 2
Hose for air supply (O.D./I.D.)	mm / in.	8 / 5.5 (.314 / ⁷ / ₃₂)	8 / 5.5 (.314 / ⁷ / ₃₂)	8 / 5.5 (.314 / ⁷ / ₃₂)
Hose for function control (O.D./I.D.)	mm / in.	4 / 2.5 (.157 / ³ / ₃₂)	4 / 2.5 (.157 / ³ / ₃₂)	4 / 2.5 (.157 / ³ / ₃₂)
Noise level	dB (A)	72	72	72

Screwdriver Style		Motor Size 2		
Spindle reversible Remote Start	Type Part no.	377-320-7U-E6.3 200633B	377-420-7U-E6.3 200633D	377-520-7U-E6.3 200633C
Spindle end Suitable tool inserts with		External Square Drive DIN 3121 - E6.3 (1/4") Internal Square Drive DIN 3121 - G6.3 (1/4")		
Spindle reversible Remote Start	Type Part no.	377-320-7U-F6.3 2006331B	377-420-7U-F6.3 2006331D	377-520-7U-F6.3 2006331C
Spindle end Suitable tool inserts with		Internal hex. Drive DIN ISO 1173 - F6.3 (1/4") with quick change chuck External hex. Drive DIN ISO 1173 - E6.3 (1/4")		
Torque min.	Nm / in.lbs	0.4 / 3.5	0.4 / 3.5	0.3 / 2.7
Torque max.	Nm / in.lbs	3.6 / 31.9	4.5 / 39.8	6.5 / 57.5
Speed, idling	rpm	780	580	360
Air consumption	m ³ /min / cfm	0.3 / 11	0.3 / 11	0.3 / 11
Weight	kg / lbs	0.93 / 2	0.93 / 2	0.93 / 2
Hose for air supply (O.D./I.D.)	mm / in.	8 / 5.5 (.314 / ⁷ / ₃₂)	8 / 5.5 (.314 / ⁷ / ₃₂)	8 / 5.5 (.314 / ⁷ / ₃₂)
Hose for function control (O.D./I.D.)	mm / in.	4 / 2.5 (.157 / ³ / ₃₂)	4 / 2.5 (.157 / ³ / ₃₂)	4 / 2.5 (.157 / ³ / ₃₂)
Noise level	dB (A)	76	76	76

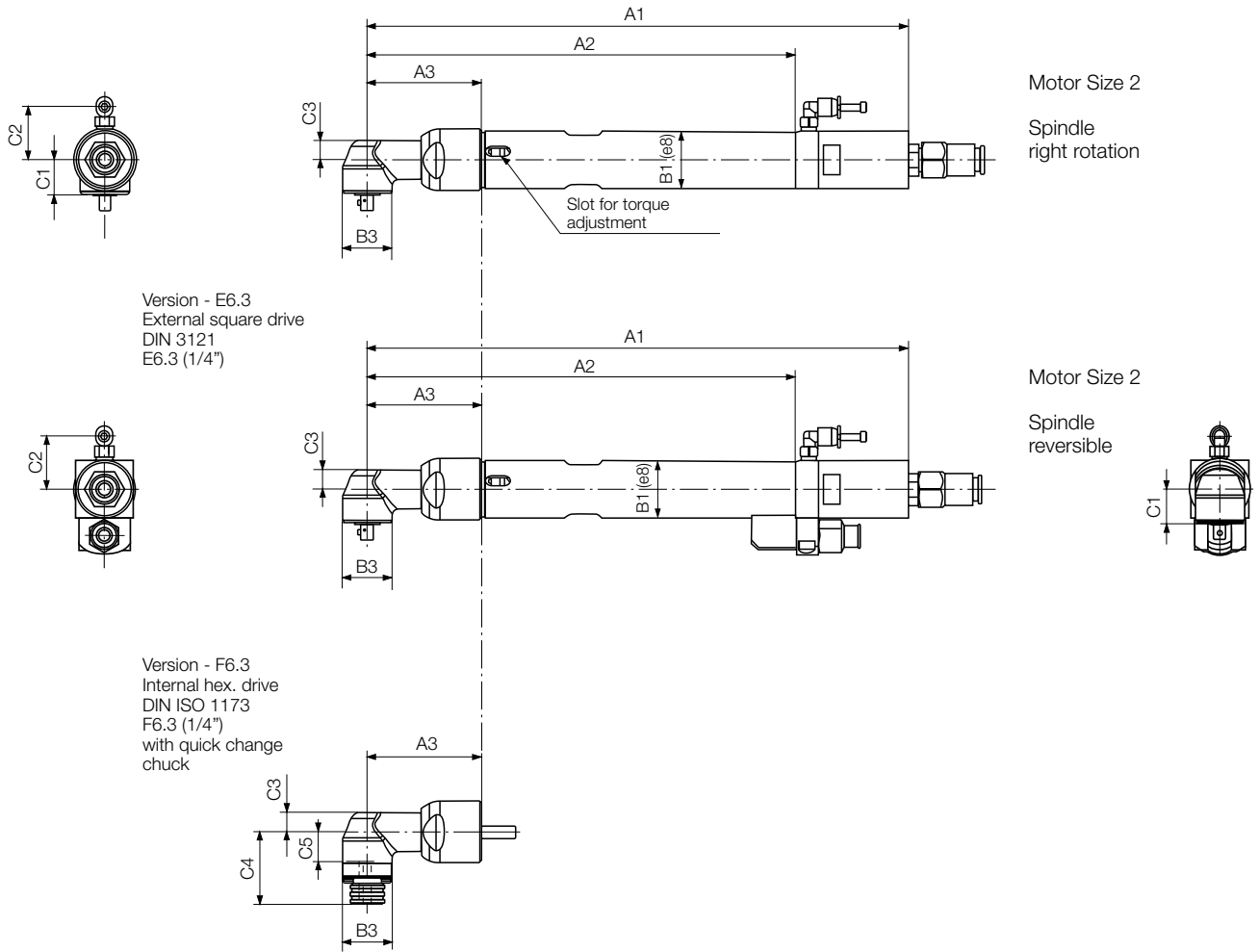
Performance data relate to an air pressure of 6.3 bar (90 PSI)

Please find suitable accessories on page 7.

Please also find suitable tool inserts in our product catalog D3320E.



DIMENSION SHEET



3955584

Motor Size 2			Dimensions (mm)									
Type			A1	A2	A3	B1	B3	C1	C2	C3	C4	C5
Spindle right rotation												
377-320-7-E6.3	377-420-7-E6.3	377-520-7-E6.3	263.2	208.2	55.4	27	24	17.1	25.5	9.5	35.1	14.1
377-320-7-F6.3	377-420-7-F6.3	377-520-7-F6.3										
Spindle reversible												
377-320-7U-E6.3	377-420-7U-E6.3	377-520-7U-E6.3	263.2	208.2	55.4	27	24	17.1	25.5	9.5	35.1	14.1
377-320-7U-F6.3	377-420-7U-F6.3	377-520-7U-F6.3										

TECHNICAL DATA

Screwdriver Style		Motor Size 3			
Spindle right rotation Remote Start	Type Part no.	377-230-7-E10 200941B	377-730-7-E10 200941C	377-330-7-E10 200941D	377-430-7-E10 200941E
Spindle end		External Square Drive DIN 3121 - E10 (3/8")			
Suitable tool inserts with		Internal Square Drive DIN 3121 - G10 (3/8")			
Torque min.	Nm / in.lbs	4 / 35.4	4 / 35.4	4 / 35.4	4 / 35.4
Torque max.	Nm / in.lbs	7 / 62	12 / 106.2	20 / 177	35 / 309.8
Speed, idling	rpm	1500	840	450	240
Air consumption	m ³ /min / cfm	0.45 / 16	0.45 / 16	0.45 / 16	0.45 / 16
Weight	kg / lbs	1.9 / 4.2	1.9 / 4.2	1.9 / 4.2	1.9 / 4.2
Hose for air supply (O.D./I.D.)	mm / in.	10 / 7 (3/8 / .273)	10 / 7 (3/8 / .273)	10 / 7 (3/8 / .273)	10 / 7 (3/8 / .273)
Hose for function control (O.D./I.D.)	mm / in.	4 / 2.5 (.157 / 3/32)	4 / 2.5 (.157 / 3/32)	4 / 2.5 (.157 / 3/32)	4 / 2.5 (.157 / 3/32)
Noise level	dB (A)	79	79	79	79

Screwdriver Style		Motor Size 3			
Spindle reversible Remote Start	Type Part no.	377-230-7U-E10 200619B	377-730-7U-E10 200619C	377-330-7U-E10 200619D	377-430-7U-E10 200619E
Spindle end		External Square Drive DIN 3121 - E10 (3/8")			
Suitable tool inserts with		Internal Square Drive DIN 3121 - G10 (3/8")			
Torque min.	Nm / in.lbs	4 / 35.4	4 / 35.4	4 / 35.4	4 / 35.4
Torque max.	Nm / in.lbs	6.5 / 57.5	10 / 88.5	19 / 168.2	32 / 283.2
Speed, idling	rpm	1400	730	365	190
Air consumption	m ³ /min / cfm	0.45 / 16	0.45 / 16	0.45 / 16	0.45 / 16
Weight	kg / lbs	2.15 / 4.7	2.15 / 4.7	2.15 / 4.7	2.15 / 4.7
Hose for air supply (O.D./I.D.)	mm / in.	10 / 7 (3/8 / .273)	10 / 7 (3/8 / .273)	10 / 7 (3/8 / .273)	10 / 7 (3/8 / .273)
Hose for function control (O.D./I.D.)	mm / in.	4 / 2.5 (.157 / 3/32)	4 / 2.5 (.157 / 3/32)	4 / 2.5 (.157 / 3/32)	4 / 2.5 (.157 / 3/32)
Noise level	dB (A)	79	79	79	79

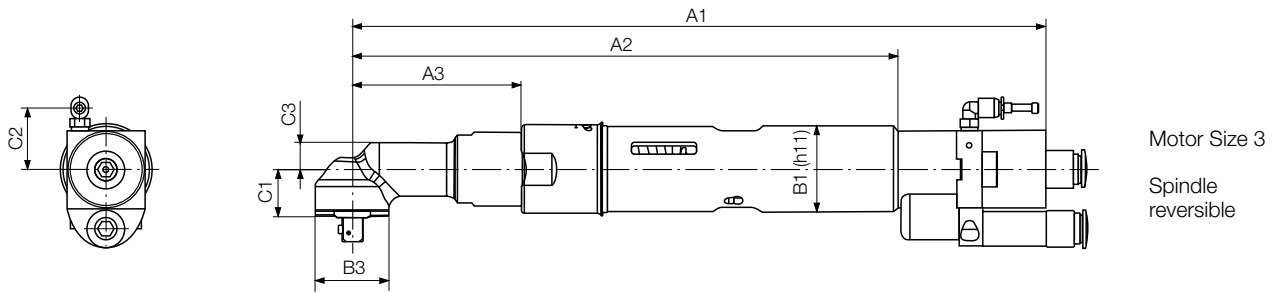
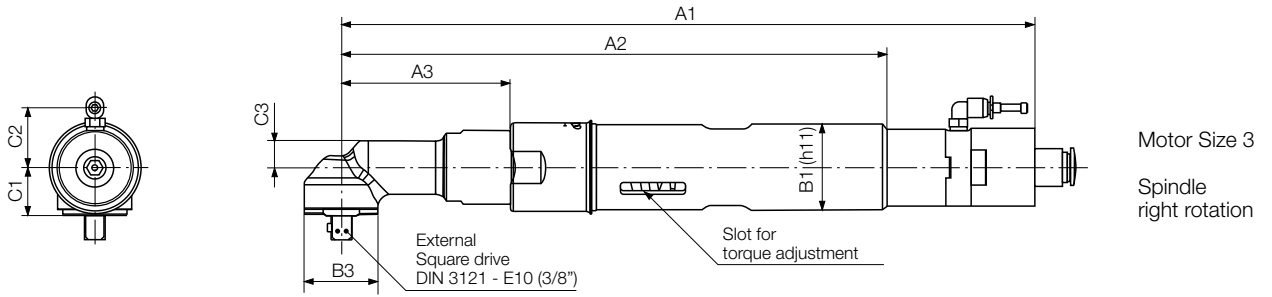
Performance data relate to an air pressure of 6.3 bar (90 PSI)

Please find suitable accessories on page 7.

Please also find suitable tool inserts in our product catalog D3320E.



DIMENSION SHEET



2009421

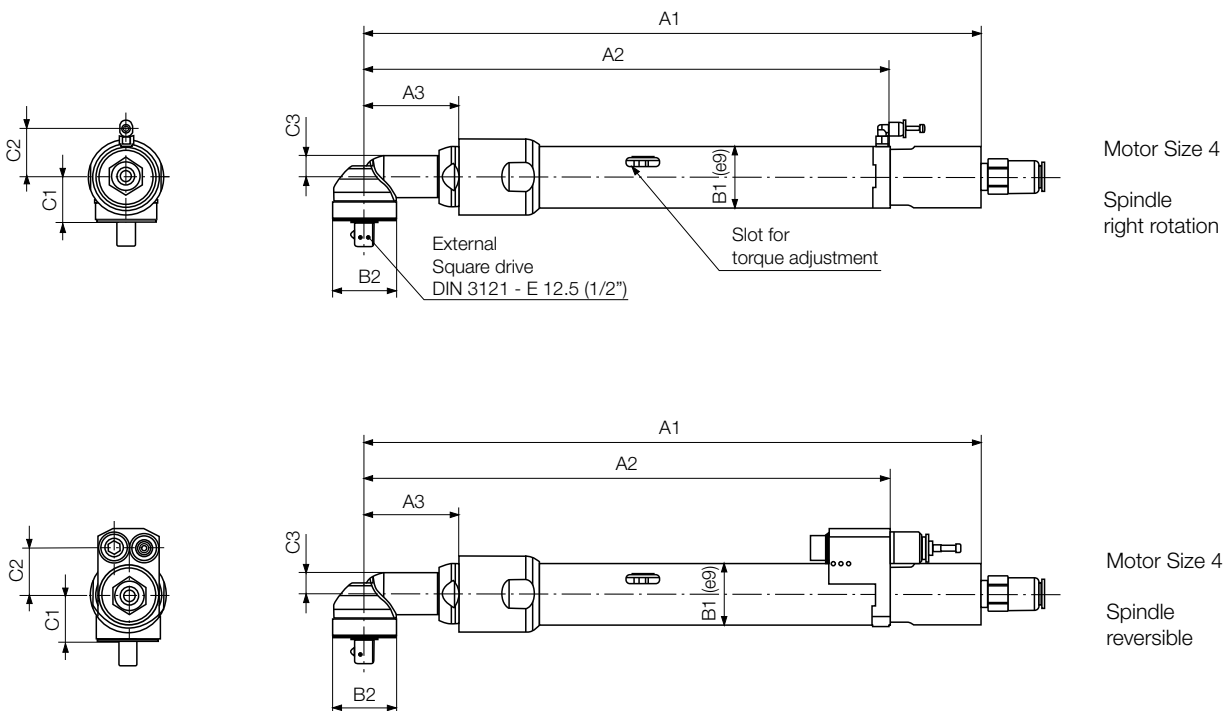
Motor Size 3								
Type	Dimensions (mm)							
Spindle right rotation	A1	A2	A3	B1	B3	C1	C2	C3
377-230-7-E10	324.3	255.3	78.9	40	34.5	22.6	28	12.5
377-730-7-E10								
377-330-7-E10								
377-430-7-E10								
Spindle reversible	A1	A2	A3	B1	B3	C1	C2	C3
377-230-7U-E10	324.3	255.3	78.9	40	34.5	22.6	28.5	12.5
377-730-7U-E10								
377-330-7U-E10								
377-430-7U-E10								

TECHNICAL DATA

Screwdriver Style	Type Part no.	Motor Size 4			
		right rotation		reversible	
Spindle Remote Start		377-740-7-E12.5 200662C	377-840-7-E12.5 200662D	377-740-7U-E12.5 200671C	377-840-7U-E12.5 200671D
Spindle end Suitable tool inserts with				External Square Drive DIN 3121 - E12.5 (1/2") Internal Square Drive DIN 3121 - G12.5 (1/2")	
Torque min.	Nm / in.lbs	20 / 177	20 / 177	15 / 132.8	15 / 132.8
Torque max.	Nm / in.lbs	48 / 424.8	67 / 593	46 / 407.1	65 / 575.3
Speed, idling	rpm	390	270	300	220
Air consumption	m ³ /min / cfm	1.1 / 38.8	1.1 / 38.8	1.1 / 38.8	1.1 / 38.8
Weight	kg / lbs	2.7 / 5.9	2.7 / 5.9	3.1 / 6.8	3.1 / 6.8
Hose for air supply (O.D./I.D.)	mm / in.	12 / 8 (.472 / ⁵ / ₁₆)	12 / 8 (.472 / ⁵ / ₁₆)	12 / 8 (.472 / ⁵ / ₁₆)	12 / 8 (.472 / ⁵ / ₁₆)
Hose for function control (O.D./I.D.)	mm / in.	4 / 2.5 (.157 / ³ / ₃₂)	4 / 2.5 (.157 / ³ / ₃₂)	4 / 2.5 (.157 / ³ / ₃₂)	4 / 2.5 (.157 / ³ / ₃₂)
Noise level	dB (A)	78	78	80	80

Performance data relate to an air pressure of 6.3 bar (90 PSI)

Please find suitable accessories on page 7. Please also find suitable tool inserts in our product catalog D3320E.



201227

Motor Size 4		Dimensions (mm)								
Type Spindle right rotation	Type Spindle reversible	A1	A2	A3	B1	B2	C1	C2	C3	
377-740-7-E12.5	377-740-7U-E12.5	401	341	61.5	40	41	29.5	30.5	13.8	
377-840-7-E12.5	377-840-7U-E12.5									

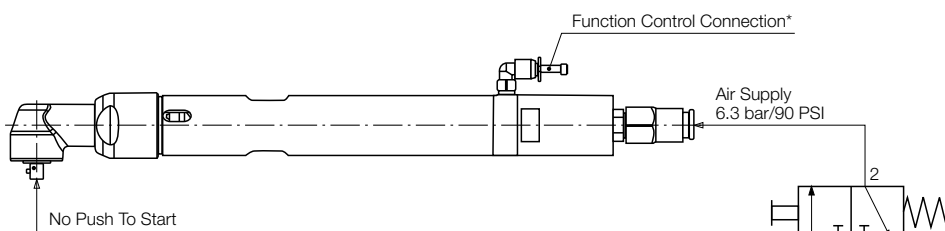
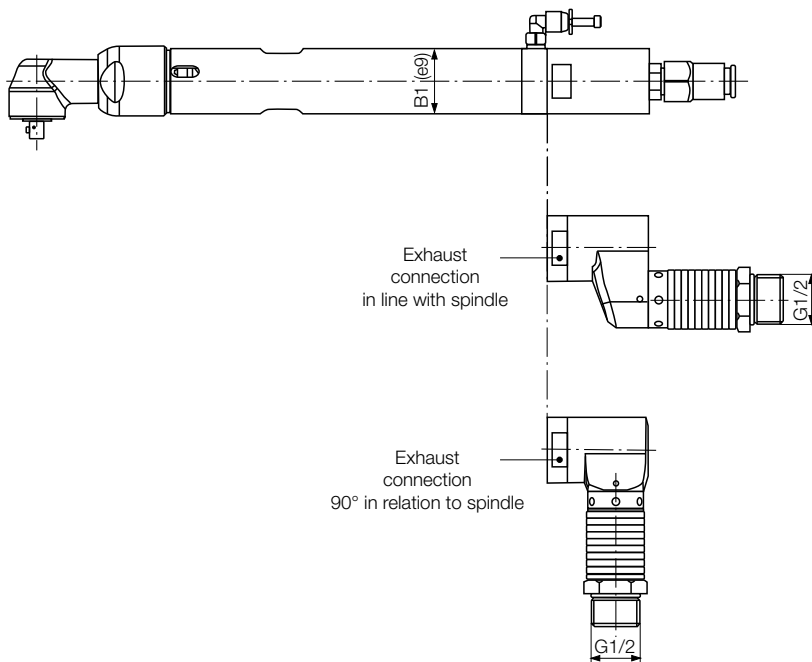
ACCESSORIES

Included in delivery of the screwdriver

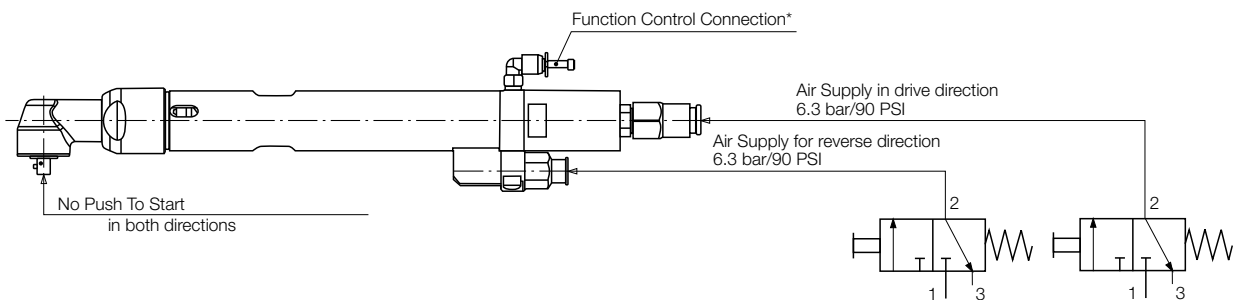
Set of coupler and connector plugs · Torque and adjustment tool · Assortment of clutch springs

Optional Equipment

suitable for		Motor Size 2	Motor Size 3 right rotation / reversible	Motor Size 4
Exhaust connection in line with spindle	Part no.	386924A	386924A / 386924C	351820R
90° in relation to spindle	Part no.	386924B	386924B / 386924D	351820U



Remote Start (3/2-way valve)
Driver with one way rotation - right rotation.



Remote Start (3/2-way valve) in drive direction and in reverse.
Driver reversible, Torque adjustable in drive direction. In reverse direction tool drives with full power.

*) During drive cycle the Function Control Line is under pressure (approx. 2 bar).

DEPRAG

DEPRAG SCHULZ GMBH u. CO. KG
P.O. Box 1352 | D-92203 Amberg
Carl-Schulz-Platz 1 | D-92224 Amberg
Phone: +49 9621 371-0 | Fax: +49 9621 371-120
www.deprag.com | info@deprag.de

CERTIFIED AS PER DIN EN ISO 9001
